

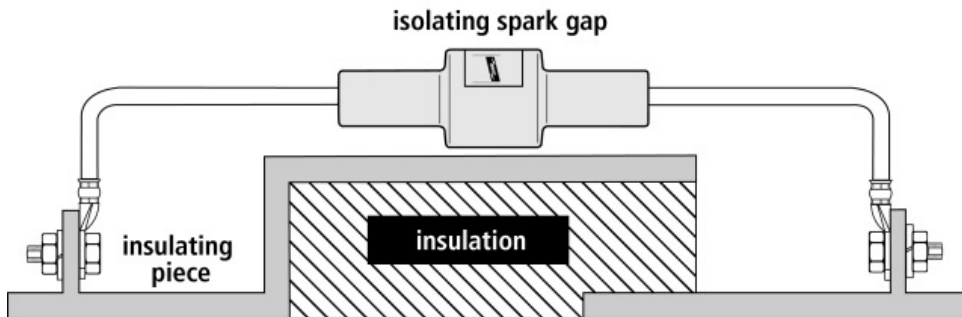
# SPARK GAPS

## DATASHEET 2.4

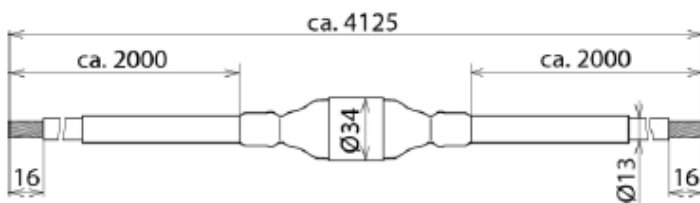
### SPARK GAPS



- For indirect connection / earthing of functionally isolated parts of installations under lightning conditions
- Device for lightning equipotential bonding according to IEC 62305 in hazardous areas
- Approval according to ATEX Directive 94/9/EC and IECEx
- Ex isolating spark gap with connecting cable for aboveground and underground installation; with water-proof sheath; may be shortened for sh



Installation of EXFS L300



Dimension drawing of EXFS 100 KU

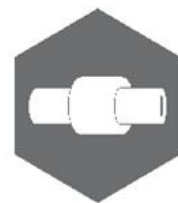


**BAC**<sup>®</sup>

CORROSION CONTROL

BAC Corrosion Control Ltd  
Stafford Park 11 • Telford • TF3 3AY  
United Kingdom

T: +44 (0) 1952 290 321  
E: sales@bacgroup.com  
W: www.bacgroup.com



## MODEL EXFS 100 KU (923 101) TECHNICAL INFORMATION

Type EXFS 100 KU	
Part No. 923 101	
Isolating spark gap according to EN 62561-3 / IEC 62561-3	yes
Lightning impulse current (	10/350 $\mu$ s) (Iimp) 100 Ka
Class (lightning current carrying capability)	H
Rated power-frequency withstand voltage	(50 / 60 Hz) (UwAC) 250 V
Rated impulse sparkover voltage	(Ur imp) $\leq$ 1.25 kV
Operating temperature range	(TU) -40 °C ... +60 °C
Temperature range during installation	-5 °C to + 50 °C
Degree of protection	IP 67
ATEX approvals	DEKRA 11ATEX0178 X
Ex marking according to EN 60079-0 and EN 60079-1:	gas II 2 G Ex d IIC T6 Gb
Ex marking according to EN 60079-0 and EN 60079-31:	dust II 2 D Ex tb IIIC T80 °C Db IP 66/67
IECEX approvals IECEX KEM 09.0051X	
Ex marking according to EN 60079-0 and EN 60079-1:	gas Ex d IIC T6 Gb
Ex marking according to EN 60079-0 and EN 60079-31:	dust Ex tb IIIC T80°C Db IP 66/67
Enclosure length	123 mm
Enclosure diameter	34 mm
Enclosure material	water-proof plastic sheath
Connection of enclosure	NYY-J-1x25 mm <sup>2</sup>
Cable length	2x approx. 2000 mm
Extended technical data:	
- Rated discharge current	(50 / 60 Hz) (Imax) 500 A / 0.2 sec.
- Noimnal discharge current	(8/20 $\mu$ s) (In) 100 kA
- Power frequency sparkover voltage	(50 / 60 Hz) (Uaw) $\leq$ 0.5 kV
Weight	1,98 kg
Customs tariff number	85369085
GTIN	4013364108332
PU 1 pc(s)	1 pc(s)

# SPARK GAPS

# DATASHEET 2.4

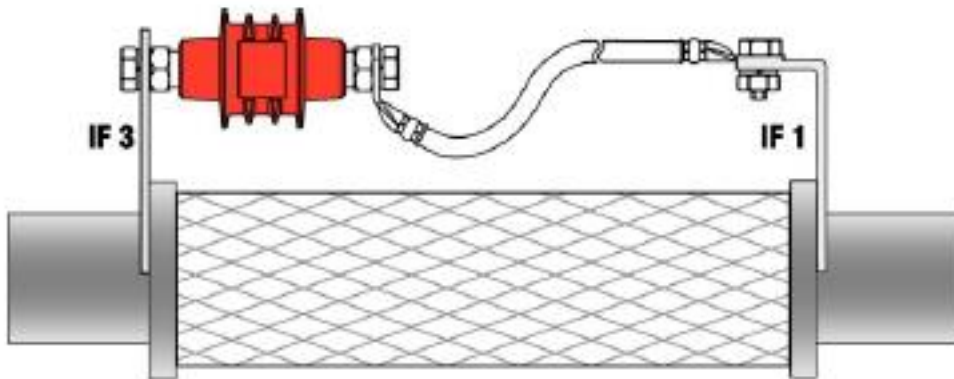
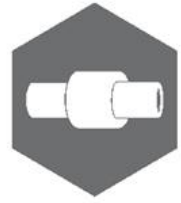
EXFS 100 (923 100)

SPARK GAPS

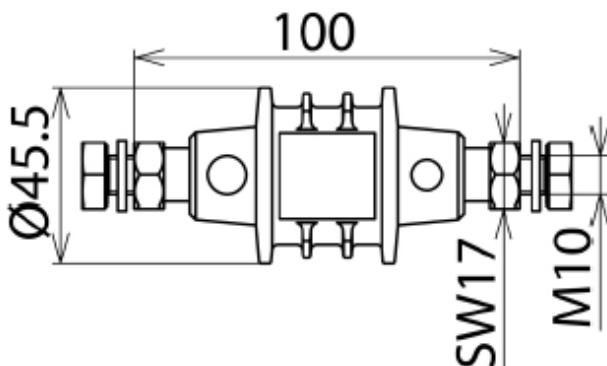
For indirect connection / earthing of functionally isolated parts of installations under lightning conditions

Device for lightning equipotential bonding according to IEC 62305 in hazardous areas

Approval according to ATEX Directive 94/9/EC and IECEx



Installation of EXFS L300



Dimension drawing of EXFS100

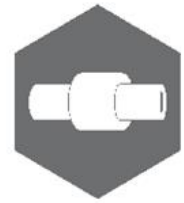


**BAC**<sup>®</sup>

CORROSION CONTROL

BAC Corrosion Control Ltd  
Stafford Park 11 • Telford • TF3 3AY  
United Kingdom

T: +44 (0) 1952 290 321  
E: sales@bacgroup.com  
W: www.bacgroup.com



### MODEL EXFS 100 (923 100) TECHNICAL INFORMATION

Type EXFS 100	
Part No.	923 100
Isolating spark gap according to EN 62561-3 / IEC 62561-3	yes
Lightning impulse current	(10/350 $\mu$ s) (Iimp) 100 kA
Class (lightning current carrying capability)	H
Rated power-frequency withstand voltage	(50 / 60 Hz) (UwAC) 250 V
Rated impulse sparkover voltage	(Ur imp) $\leq$ 1.25 kV
Operating temperature range (TU)	-20 °C ... +60 °C
Degree of protection	IP 67
ATEX approvals	DEKRA 11ATEX0178 X
Ex marking according to EN 60079-0 and EN 60079-1:	gas II 2 G Ex d IIC T6 Gb
Ex marking according to EN 60079-0 and EN 60079-31:	dust II 2 D Ex tb IIIC T80 °C Db IP 66/67
IECEX approvals	IECEX KEM 09.0051X
Ex marking according to EN 60079-0 and EN 60079-1:	gas Ex d IIC T6 Gb
Ex marking according to EN 60079-0 and EN 60079-31:	dust Ex tb IIIC T80 °C Db IP 66/67
Enclosure length	100 mm
Enclosure diameter	45.5 mm
Enclosure material	plastic sheath
Connection of enclosure	M10 threaded bushing, 2x M10x25 mm, 2x spring washer
Extended technical data:	
- Rated discharge current	(50 / 60 Hz) (Imax) 500 A / 0.2 sec.
- Noimnal discharge current	(8/20 $\mu$ s) (In) 100 kA
- Power frequency sparkover voltage	(50 / 60 Hz) (Uaw) $\leq$ 0.5 kV
Weight	289 g
Customs tariff number	85369085
GTIN	4013364108325
PU	1 pc(s)