

# MIXED METAL OXIDE ANODES RIBBON TYPE POWER FEED CONNECTION KIT

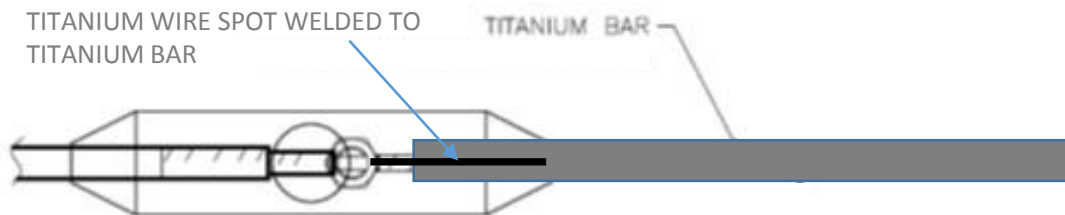
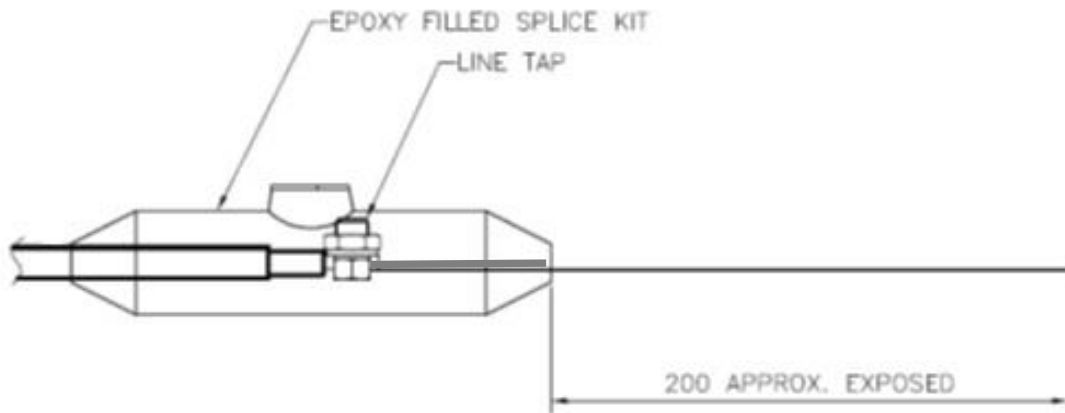
## DATASHEET 1.11

POWER FEED  
CONNECTOR



**APPLICATION :** For power feed connections on under tank grid anode system. The power feed connector connects the DC current feeder cable to the Titanium Conductor Bar.

Anode Power Feed Connector comprises 12.7mm width x 0.9mm Thickness x 200mm length Titanium Conductor Bar spot welded to a 100mm length of 3mm dia Titanium Wire. Encapsulation to the DC feeder cable is made by an epoxy splice kit and line tap connector generally as detailed below



ITEM NO : 6.00  
STOCK CODE : EQS000000003  
QUANTITY : 10 No