

JUNCTION BOXES

BAC Corrosion Control Ltd design, manufacture and test a complete range of Junction Boxes for Cathodic Protection applications under their Infinity Power brand name.



We cater for a wide range of specifications and functionality requirements and work with our clients to provide reliability, value and quality at every step of the process.

DATASHEET 1.25

JUNCTION BOXES



In order that you can simply specify a BAC Shunt / Resistor Junction Box we have prepared a table of options available overleaf, we would be pleased to advise you on material selection, sizing and spacing options in order to reach your optimum design.

Overleaf we have detailed the specifications of the junction boxes we will be providing. Should you require any further details then please do not hesitate to contact us.



BAC[®]

CORROSION CONTROL

BAC Corrosion Control Ltd
Stafford Park 11 • Telford • TF3 3AY
United Kingdom

T: +44 (0) 1952 290 321
E: sales@bacgroup.com
W: www.bacgroup.com

JUNCTION BOXES

BAC Corrosion Control Ltd design, manufacture and test a complete range of Junction Boxes for Cathodic Protection applications under their Infinity Power brand name.



We cater for a wide range of specifications and functionality requirements and work with our clients to provide reliability, value and quality at every step of the process.

STANDARD TERMINAL JUNCTION BOXES

Typical image of a terminal junction box with cable entry via bottom entry conduits / hub arrangement. Enclosures are typically supplied with either a left hand hinged lockable door, or bolted lid arrangement. A wide range of shunts, variable resistors, diodes and layout arrangements can be accommodated,



JUNCTION BOX FRAMES AND MOUNTING

Typical image of a junction box c/w support frame and cable tray arrangement. BAC can accommodate different types of mounting arrangement and methods of securing the structure in situ at site.



DATASHEET 1.25

JUNCTION BOXES



COST EFFICIENT TERMINAL BOXES

Typical Image of a DIN Rail / SAK Terminal junction box with bottom entry gland plate. Please advise the cable size and quantity at enquiry stage so we can efficiently size your enclosure.

JUNCTION BOXES

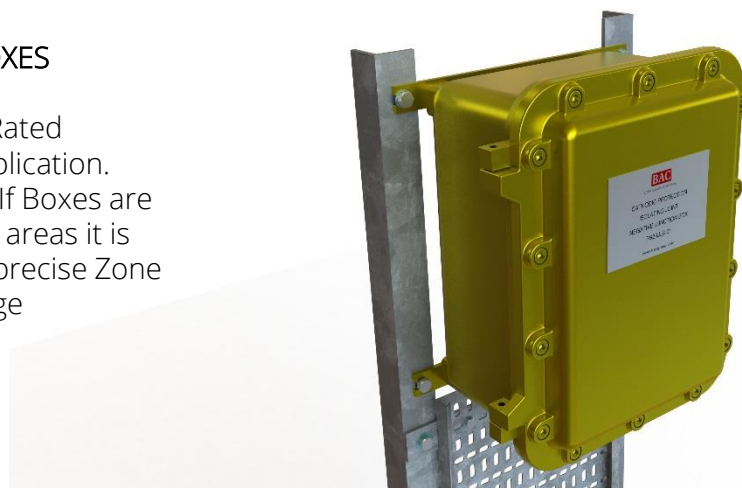
BAC Corrosion Control Ltd design, manufacture and test a complete range of Junction Boxes for Cathodic Protection applications under their Infinity Power brand name.



We cater for a wide range of specifications and functionality requirements and work with our clients to provide reliability, value and quality at every step of the process.

ZONE RATED JUNCTION BOXES

Typical example of an Exd Rated Junction Box for Zone 1 Application. Cast Aluminium Enclosure. If Boxes are being located in Hazardous areas it is important to advise us the precise Zone classification at enquiry stage



CUSTOM SPECIFICATION JUNCTION BOXES

Meters can be incorporated into the box design to monitor system performance. If multiple outputs require monitoring a selector switch can be included to switch between channels during inspection.

DATASHEET 1.25

JUNCTION BOXES



BAC[®]

CORROSION CONTROL

 **MEMBER OF
MIDROC EUROPE**

JUNCTION BOXES

SELECTION CHART

As a useful guide at enquiry / quotation stage please state your preferences where known based upon the options below.

These are by no means exhaustive but will assist you in receiving the most accurate and cost competitive offer from us in the first instance.

DATASHEET 1.25

JUNCTION BOXES



SELECTION CHART						
ENCLOSURE MATERIAL	SS316L	SS304	GALV STEEL	GRP	ALUMINIUM	FRP
CABLE ENTRY	GLAND	CONDUIT / HUB	PIPE / LOCKING NUTS	IP RATING	IP	
CABLE SIZES TYPE AND QUANTITY	mm ² mm ² mm ²	Qty Qty Qty	mm OD mm OD mm OD	ARMOURED / UNARMOURED ARMOURED / UNARMOURED ARMOURED / UNARMOURED		
SHUNT TYPE	BRASS END	WIRE TYPE	ENCLOSURE DIMENSIONS	mm (H) mm (W) mm (D)		
SHUNT RATING	mV	A	i.e. 50mV/10A			
SHUNT QUANTITY	Qty	i.e. 10 No				
RESISTOR	VARIABLE WIRE WOUND TYPE	FIXED TYPE	VARIABLE ROTARY TYPE	DIODES		
RESISTOR RATING	Ω	WATTS	i.e. 10 Ohm / 50 Watts			
RESISTOR QUANTITY	Qty	i.e. 10 No				
METERS	AMMETER	POTENTIAL METER	VOLTMETER	SELECTOR SWITCH		
FRAME / SUPPORT	GALV STEEL ANGLE	SS316L ANGLE	SS304 ANGLE	GALV UNISTRUT	SS316L UNISTRUT	SS304 UNISTRUT
HEIGHT	mm FROM TOP OF BOX TO BOTTOM OF FRAME		FRAME LEGS SPLAYED		FRAME LEGS BOLTED	
SAFE AREA OR EX RATING / CLASSIFICATION			LABELS		SUNSHADE	