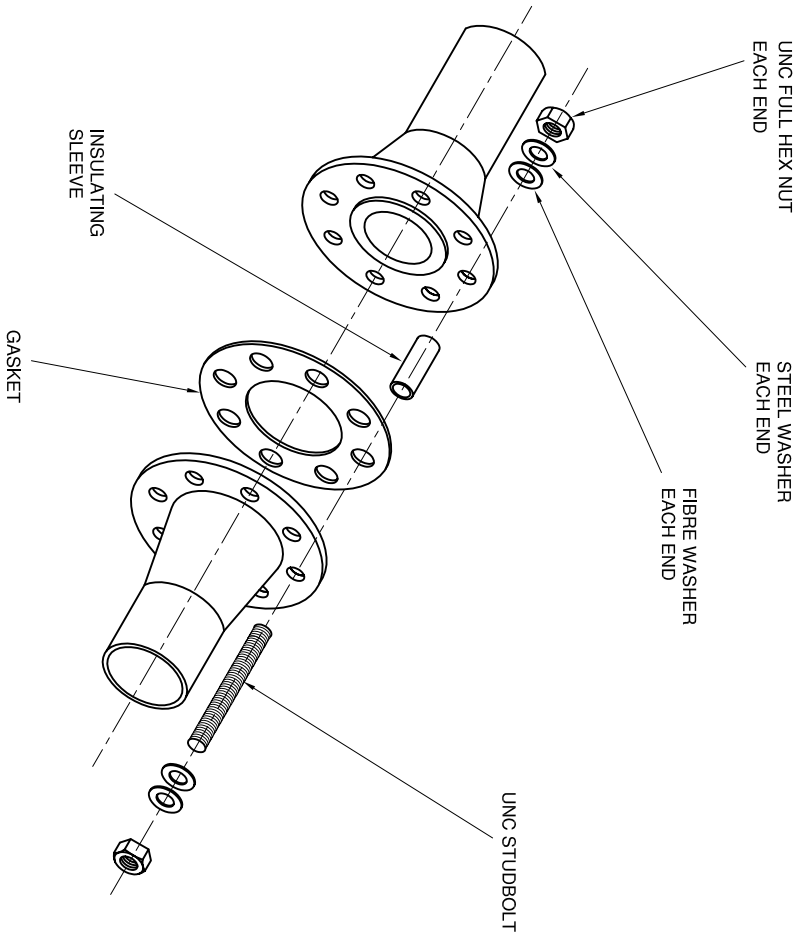


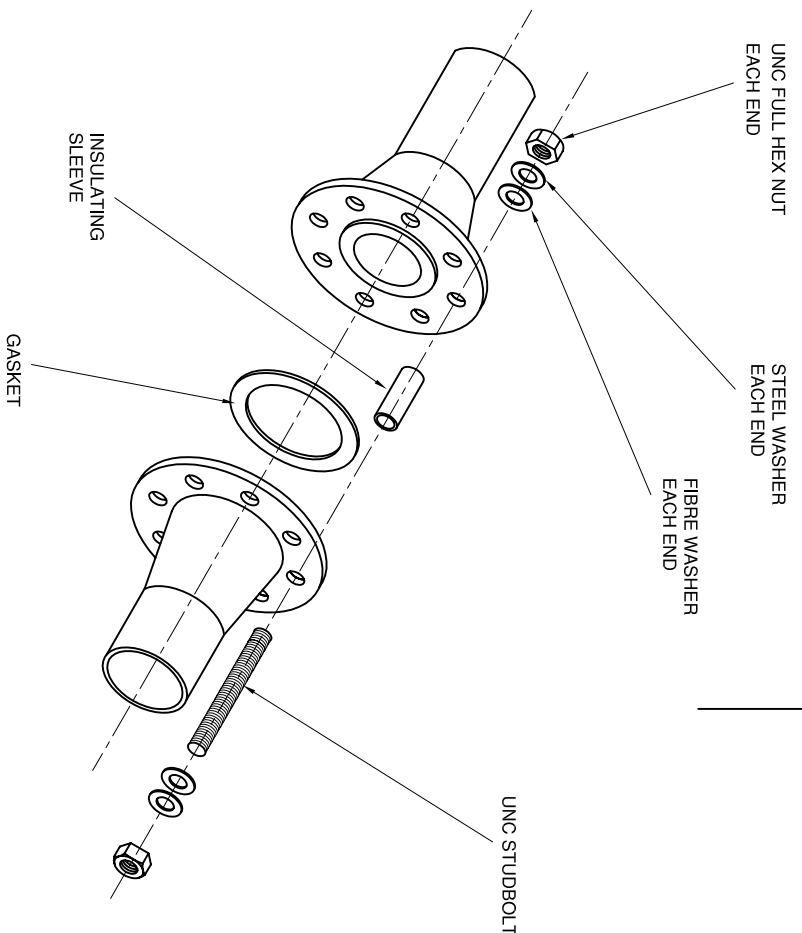
DO NOT SCALE

FIRST ISSUE ON RELEASE NOTE

REVISION



FULL FACE TYPE 'E'



RAISED FACE TYPE 'F'

NOTE
FLANGE PERIPHERY TO BE TAPE
WRAPPED AFTER ASSEMBLY.

BAC
CORROSION CONTROL

STAFFORD PARK 11
TELFORD
TF3 3AY
UNITED KINGDOM

PHONE : +44 (0) 1952 290321
FAX : +44 (0) 1952 290325
EMAIL : sales@bacgroup.com
ENGINEERING@bacgroup.com
WEBSITE : www.bacgroup.com

INSULATING FLANGE ASSEMBLY DETAILS

TYPE 'E' AND TYPE 'F'

DRAWN	DGT	DATE 20/04/04	MATERIAL	SHEET 1 OF 1
CHECKED	DJ	DATE 21/04/04	THIS DRAWING IS THE PROPERTY OF BAC CORROSION CONTROL LTD. IT MUST NOT BE COPIED, USED FOR MANUFACTURE OR OTHERWISE DISCLOSED WITHOUT THE PRIOR ARRANGEMENT OF THE COMPANY.	SCALE NTS
REVIEWED	DM	DATE 22/04/04		STD DRAWING
APPROVED	APG	DATE 22/04/04		S 024
				REV 0